

We have been working hard to enhance our Tultex Flat Face Mask. We added a few new features we think you'll love. We made the mask taller from nose to chin to provide more facial coverage and printing space. We also created a snugger fit around the ears.

**IN STOCK AND SHIPPING SAME DAY WHERE INVENTORY IS AVAILABLE**



## PRODUCT DETAILS

- 3 ply cotton construction with filter pocket and all around binding
- 100% US cotton
- Soft and breathable 30 singles ring spun fabric
- Designed contour fit
- Maximum retention on ear loops after wash
- Ear loops made by 1 x 1 rib construction for comfort and fit
- Designed for maximum coverage
- Machine washed and tumble dried
- For best shape and retention line dry
- Antimicrobial fabric
- Woven label
- Non-Returnable

## PRINTING INSTRUCTIONS

- Embroidery
- Heat transfer
- Pad print
- Screen print
- Discharge print
- Direct to garment

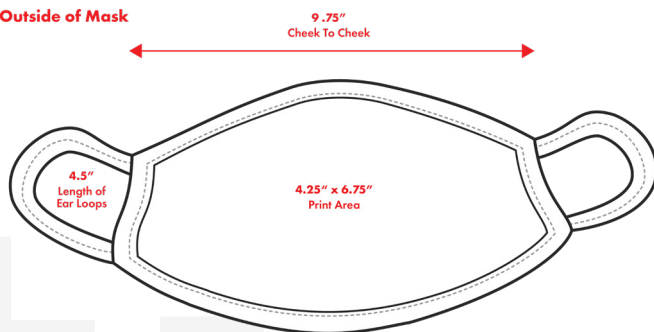
## SIZE DETAILS

- Nose to chin - 5.00"
- Cheek to cheek - 9.75"
- Length of ear loops - 4.5"
- Print Area: 4.25" x 6.75"

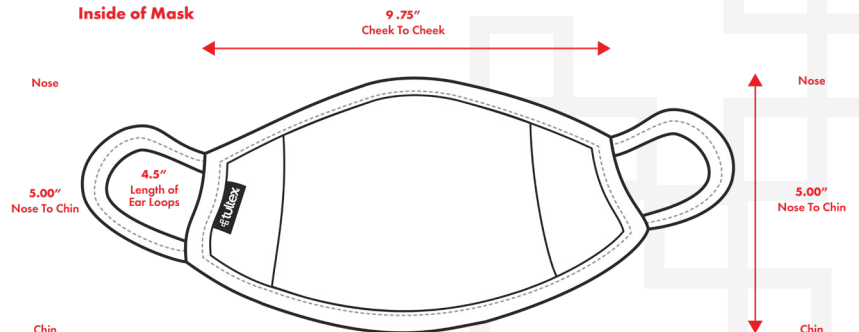
## COLORS

- Black, Navy, Red and White (custom colors available for orders over 25k)

Outside of Mask



Inside of Mask



### Center for Disease Control (CDC) Advisory

CDC recommends wearing cloth face coverings in public settings where other social distancing measures are difficult to maintain (e.g., grocery stores and pharmacies) especially in areas of significant community-based transmission. CDC says face covers should be routinely washed depending on the frequency of use, and that machine washing should suffice in properly cleaning a face cover.

<https://www.cdc.gov/coronavirus/2019-ncov/prevent-getting-sick/cloth-face-cover.html>

These masks are not medical grade and are not to take the place of the N95 masks. They are not suitable for use in a surgical setting or where there would be significant exposure to liquid, bodily or other hazardous fluids, use in a clinical setting, or use in the presence of a high-intensity heat source or flammable gas.